



Model: LF110-2G Update Time: 2015/4/8 8:58:19

F-01 前照灯总成 HEADLIGHT ASSY



PartNo.	PartCode	Description	U.Price	Unit	Purchase
F01-01	Q940R12V10	Bulb 12V-10W	0.00	PC	Purchase
F01-02	RGX33510A0A00	Front Winker RH	0.00	PC	Purchase
F01-03	Q94012V3535S2	Bulb 12V-35/35W	0.00	PC	Purchase
F01-04	RGX33100B1A00	Headlight Assy	0.00	PC	Purchase
F01-05	Q940T12V04	Bulb 12V-5W	0.00	PC	Purchase
F01-06	RGX33550A0A00	Front Winker LH	0.00	PC	Purchase

F-01-II 前照灯总成 HEADLIGHT ASSY



Model: LF110-2G Update Time: 2015/4/8 8:58:19

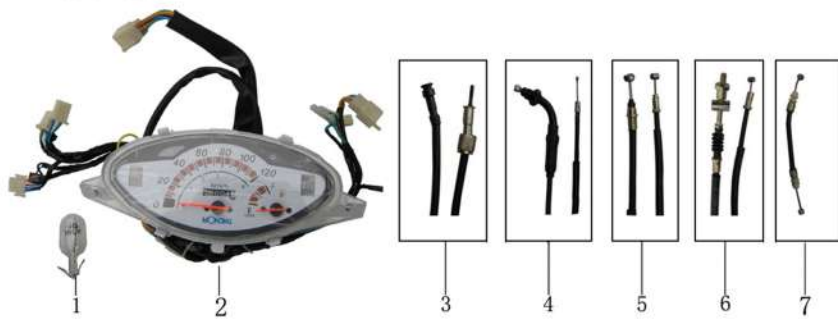


PartNo.	PartCode	Description	U.Price	Unit	Purchase
F01-II-01	RGX33100C1A00	Headlight Assy II	0.00	PC	Purchase
F01-II-02	Q94012V1818	Bulb 12V-18/18W	0.00	PC	Purchase
F01-II-03	Q94012V10	Bulb 12V-10W	0.00	PC	Purchase

F-02 仪表总成 METER ASSY



Model: LF110-2G Update Time: 2015/4/8 8:58:19



PartNo.	PartCode	Description	U.Price	Unit	Purchase
F02-01	Q94012V017	Bulb 12V-1.7W	0.00	PC	Purchase
F02-02	YHA37000A3A00	Meter Assy	0.00	PC	Purchase
F02-03	YHA46700A0A00	Odometer Cable Comp	0.00	PC	Purchase
F02-04	XGA46310A0A00	Throttle Cable	0.00	PC	Purchase
F02-05	XGA46350A0A00	Choke Cable	0.00	PC	Purchase
F02-06	XGA46100A0A00	Front Brake Cable	0.00	PC	Purchase
F02-07	RGX46530A0A00	Seat Lock Cable	0.00	PC	Purchase



F-02- II 仪表总成 METER ASSY



Model: LF110-2G Update Time: 2015/4/8 8:58:19

PartNo.	PartCode	Description	U.Price	Unit	Purchase
F02-II-01	YHA37000A3A00	Meter Assy	0.00	PC	Purchase
F02-II-02	Q94012V017	Bulb 12V-1.7W	0.00	PC	Purchase
F02-II-03	YHA46700A0A00	Odometer Cable Comp	0.00	PC	Purchase
F02-II-04	XGA46310A0A00	Throttle Cable	0.00	PC	Purchase
F02-II-05	XGA46350A0A00	Choke Cable	0.00	PC	Purchase
F02-II-06	XGA46100A0A00	Front Brake Cable	0.00	PC	Purchase
F02-II-07	RGX46530A0A00	Seat Lock Cable	0.00	PC	Purchase



Model: LF110-2G Update Time: 2015/4/8 8:58:19

F-03 前照灯护罩 HEADLIGHT HOOD



PartNo.	PartCode	Description	U.Price	Unit	Purchase
F03-01	RGX35230A0A00	Dimmer Switch	0.00	PC	Purchase
F03-02	RGX43131A2H05	Meter Case	0.00	PC	Purchase
F03-03	RGX43111A1B02	Headlight Hood	0.00	PC	Purchase
F03-04	RGX35240A0A00	Winker Switch	0.00	PC	Purchase
F03-05	RGX35350A0A00	Horn Switch	0.00	PC	Purchase
F03-06	YHA35130A0A00	Switch Lighting	0.00	PC	Purchase
F03-07	RGX35140A0A00	Starter Button	0.00	PC	Purchase



Model: LF110-2G Update Time: 2015/4/8 8:58:19

F-03-II 前照灯护罩 HEADLIGHT HOOD



PartNo.	PartCode	Description	U.Price	Unit	Purchase
F03-II-01	XGA33183A0N05	Circlip	0.00	PC	Non-Supply
F03-II-02	RGX43111A2B32	Headlight Hood II	0.00	PC	Purchase
F03-II-03	YHA35230A0A00	Dimmer Switch	0.00	PC	Purchase
F03-II-04	RGX43131A2H05	Meter Case II	0.00	PC	Purchase
F03-II-05	YHA35240A0A00	Winker Switch	0.00	PC	Purchase
F03-II-06	YHA35350A0A00	Horn Switch	0.00	PC	Purchase
F03-II-07	YHA35130A0A00	Lighting Switch	0.00	PC	Purchase
F03-II-08	YHA35140A0A00	Starter Button	0.00	PC	Purchase



Model: LF110-2G Update Time: 2015/4/8 8:58:19

F-04 方向把总成 后视镜 STEERING BAR & REARVIEW MIRROR



PartNo.	PartCode	Description	U.Price	Unit	Purchase
F04-01	YHA57200A0B14	Rearview Mirror LH	0.00	PC	Purchase
F04-02	RGX47110F1B01	Steering bar	0.00	PC	Purchase
F04-03	RGX47411A0A00	Grip LH	0.00	PC	Purchase
F04-04	YHA35283A0A00	Choke Seat	0.00	PC	Purchase
F04-05	XGA35281A0A00	Choke Lever	0.00	PC	Purchase
F04-06	YHA57100A0B14	Rearview Mirror RH	0.00	PC	Purchase
F04-07	RGX47500A0B01	Front Brake Lever Assy	0.00	PC	Purchase
F04-08	RGX47511A0B01	Front Brake Lever	0.00	PC	Purchase
F04-09	RGX47300A2A00	Throttle Grip Comp	0.00	PC	Purchase
F04-10	RGX47312A0A00	Throttle Cable Seat	0.00	PC	Purchase

F-04- II 方向把总成 后视镜 STEERING BAR & REAR VIEW MIRROR



Model: LF110-2G Update Time: 2015/4/8 8:58:19



PartNo.	PartCode	Description	U.Price	Unit	Purchase
F04-II-01	YHA57200A0B14	Rearview Mirror LH	0.00	PC	Purchase
F04-II-02	RGX47110F1B01	Steering bar	0.00	PC	Purchase
F04-II-03	RGX47411A0A00	Grip LH	0.00	PC	Purchase
F04-II-04	YHA35283A0A00	Choke Seat	0.00	PC	Purchase
F04-II-05	XGA35281A0A00	Choke Lever	0.00	PC	Purchase
F04-II-06	YHA57100A0B14	Rearview Mirror RH	0.00	PC	Purchase
F04-II-07	RGX47500A0B01	Front Brake Lever Assy	0.00	PC	Purchase
F04-II-08	RGX47511A0B01	Front Brake Lever	0.00	PC	Purchase
F04-II-09	RGX47300A2A00	Throttle Grip Comp	0.00	PC	Purchase
F04-II-10	RGX47312A0A00	Throttle Cable Seat	0.00	PC	Purchase
F04-II-11	YHA57200B1B14	Rearview Mirror LH (light)	0.00	PC	Purchase
F04-II-12	YHA57100B1B14	Rearview Mirror RH (light)	0.00	PC	Purchase



Model: LF110-2G Update Time: 2015/4/8 8:58:19

F-05 方向柱组件 STEERING STEM



PartNo.	PartCode	Description	U.Price	Unit	Purchase
F05-01	RGX51210A0B01	Steering Stem	0.00	PC	Purchase
F05-02	XXXXXXXXXXXXXXXX	Steering Stem Bearing Set	0.00	SET	Purchase
F05-03	YGA51950A0A00	Top bearing Ball	0.00	PC	Purchase
F05-04	YGA51960A0A00	Bottom Bearing Ball	0.00	PC	Purchase
F05-05	RGX93210A0N03	Locknut	0.00	PC	Purchase
F05-06	XXXXXXXXXXXXXXXX	Washer Steering Stem Adjusting	0.00	PC	Non-Supply
F05-07	RGX93241A0N03	Steering Stem Adjusting Nut	0.00	PC	Purchase

F-06 前挡泥板 FRONT FENDER



Model: LF110-2G Update Time: 2015/4/8 8:58:19



PartNo.	PartCode	Description	U.Price	Unit	Purchase
F06-01	RGX53110A2H05	Front Fender	0.00	PC	Purchase
F06-02	RGX53114A1H05	Front Fork Guard LH	0.00	PC	Purchase
F06-03	RGX33810A0A00	Front Reflector	0.00	PC	Purchase
F06-04	NIX46971A0A00	Odometer Cable Grommet	0.00	PC	Purchase
F06-05	RGX53113A1H05	Front Fork Guard RH	0.00	PC	Purchase



Model: LF110-2G Update Time: 2015/4/8 8:58:19

F-07 前面罩 中护板 FRONT COWL&MID GUARD



PartNo.	PartCode	Description	U.Price	Unit	Purchase
F07-01	RGX43251A1B36	Front Cover	0.00	PC	Purchase
F07-02	RGX43663A1A00	Rear Cowl	0.00	PC	Purchase
F07-03	RGX43210A1A00	Mid Guard	0.00	PC	Purchase



Model: LF110-2G Update Time: 2015/4/8 8:58:19

F-08 后围板 REAR PANEL



PartNo.	PartCode	Description	U.Price	Unit	Purchase
F08-01	RGX43710C3B32	Right Rear Panel	0.00	PC	Purchase
F08-02	RGX43720C3B32	Left Rear Panel	0.00	PC	Purchase
F08-03	RGX48344A0A00	Seat Lock Set Cover	0.00	PC	Purchase



Model: LF110-2G Update Time: 2015/4/8 8:58:19

F-09 減震器 SHOCK ABSORBER



PartNo.	PartCode	Description	U.Price	Unit	Purchase
F09-01	XXXXXXXXXXXXXXXX	Dust Cover	0.00	PC	Non-Supply
F09-02	XXXXXXXXXXXXXXXX	Oil Seal Front Shock Absorber 26x37x10.5	0.00	PC	Non-Supply
F09-03	RGX52500A0W01	Front Shock Absorber LH	0.00	PC	Purchase
F09-04	RGX52400A0W01	Front Shock Absorber RH	0.00	PC	Purchase
F09-05	RGX62100A1B01	Rear Shock Absorber Assy	0.00	PC	Purchase



Model: LF110-2G Update Time: 2015/4/8 8:58:19

F-10 前轮总成 FRONT WHEEL ASSY



PartNo.	PartCode	Description	U.Price	Unit	Purchase
F10-01	YGA54631A0N01	Front Wheel Inner Spoke	0.00	PC	Purchase
F10-02	YGA54800A2A00	Front Tube 2.50-17	0.00	PC	Purchase
F10-03	YGA54641A0A00	Front Wheel Outer Spoke	0.00	PC	Purchase
F10-04	YGA54100D1W01	Front Wheel Hub	0.00	PC	Purchase
F10-05	YGA54700A2A00	Front Tyre 2.50-17	0.00	PC	Purchase
F10-06	YGA65110A1A00	Front Brake Shoe Set	0.00	SET	Purchase
F10-07	YGA55100A1W01	Front Brake Assy	0.00	PC	Purchase
F10-08	YGA54600B1W01	Front Wheel Rim Comp	0.00	PC	Purchase
F10-09	RGX54912A0N04	Front Wheel Righ Bush	0.00	PC	Purchase
F10-10	YGA54611A0M01	Front Wheel Rim	0.00	PC	Purchase
F10-11	RGX54911A1N04	Front Axle	0.00	PC	Purchase
F10-12	YGA54881A0A00	Tyre Flap	0.00	PC	Purchase
F10-13	XXXXXXXXXXXXXX	Gear	0.00	PC	Purchase



Model: LF110-2G Update Time: 2015/4/8 8:58:19

F-10-II 前轮总成 FRONT WHEEL ASSY



PartNo.	PartCode	Description	U.Price	Unit	Purchase
F10-II-01	YGA54800A2A00	Tube2.50-17	0.00	PC	Purchase
F10-II-02	YHA55500A0W02	Speedometer Gear Box	0.00	PC	Purchase
F10-II-03	XXXXXXXXXXXXXX	Front Wheel Dust Ring	0.00	PC	Non-Supply
F10-II-04	XXXXXXXXXXXXXX	Speedometer Drive Claw	0.00	PC	Non-Supply
F10-II-05	YGA54700A2A00	Tyre2.50-17	0.00	PC	Purchase
F10-II-06	RGX54912A0N04	Front Wheel Right Bush	0.00	PC	Purchase
F10-II-07	RGX54100A1B03	Front Wheel Assy	0.00	PC	Purchase
F10-II-08	RGX54911A1N04	Front Axle	0.00	PC	Purchase
F10-II-09	XGA54610A0W01	Front Wheel Rim Comp	0.00	PC	Purchase
F10-II-10	YGA54881A0A00	Front Tyre Flap	0.00	PC	Purchase
F10-II-11	XGA54100A1B03	Front Wheel Hub Set	0.00	PC	Purchase



Model: LF110-2G Update Time: 2015/4/8 8:58:19

F-11 后轮总成 REAR WHEEL ASSY



PartNo.	PartCode	Description	U.Price	Unit	Purchase
F11-01	YGA64253D1A00	Rear Wheel Buffer	0.00	SET	Purchase
F11-02	RGX68500A0Z50	Sprocket Hub Comp	0.00	PC	Purchase
F11-03	RGX68521A0N01	Sprocket	0.00	PC	Purchase
F11-04	RGX64641A0A00	Rear Wheel Outer Spoke	0.00	PC	Purchase
F11-05	RGX64211A0W01	Rear Wheel Hub	0.00	PC	Purchase
F11-06	RGX64631A0A00	Rear Wheel Inner Spoke	0.00	PC	Purchase
F11-07	RGX64800A0A00	Rear Tube	0.00	PC	Purchase
F11-08	YGA65110A1A00	Rear Brake Shoe Set	0.00	SET	Purchase
F11-09	RGX64700A0A00	Rear Tyre	0.00	PC	Purchase
F11-10	YGA65100A1W01	Rear Brake	0.00	PC	Purchase
F11-11	RGX64913A0N04	Rear Wheel Bush LH	0.00	PC	Purchase
F11-12	RGX64600A0W01	Rear Wheel Rim Comp	0.00	PC	Purchase
F11-13	RGX64912A0N04	Rear Wheel Right Bush	0.00	PC	Purchase
F11-14	RGX64611A0M01	Rear Wheel Rim	0.00	PC	Purchase
F11-15	RGX64911A1N04	Rear Axle	0.00	PC	Purchase
F11-16	YGA54881A0A00	Tyre Flap	0.00	PC	Purchase



F-11-II 后轮总成 REAR WHEEL ASSY



Model: LF110-2G Update Time: 2015/4/8 8:58:19

PartNo.	PartCode	Description	U.Price	Unit	Purchase
F11-II-01	RGX64800A0A00	Tube 2.75-17	0.00	PC	Purchase
F11-II-02	RGX64700A0A00	Tyre 2.75-17	0.00	PC	Purchase
F11-II-03	YGA64253D1A00	Rear Wheel Buffer	0.00	PC	Purchase
F11-II-04	RGX64100A0W02	Rear Wheel Assy	0.00	PC	Purchase
F11-II-05	RGX68500A0Z50	Sprocket Assy	0.00	PC	Purchase
F11-II-06	RGX68521A0N01	Sprocket	0.00	PC	Purchase
F11-II-07	YGA65110A1A00	Rear Brake Shoe Set	0.00	PC	Purchase
F11-II-08	YGA65100A1W01	Rear Brake	0.00	PC	Purchase
F11-II-09	RGX64912A0N04	Rear Wheel Bush RH	0.00	PC	Purchase
F11-II-10	RGX64913A0N04	Rear Wheel Bush LH	0.00	PC	Purchase
F11-II-11	RGX64911A1N04	Rear Axle	0.00	PC	Purchase
F11-II-12	RGX64100A2B03	Rear Wheel Assy	0.00	PC	Purchase



Model: LF110-2G Update Time: 2015/4/8 8:58:19

F-12 前搁脚组合 FOOTREST



PartNo.	PartCode	Description	U.Price	Unit	Purchase
F12-01	RGX42300A0B01	Rider Footrest Assy	0.00	PC	Purchase
F12-02	YGA42381A0A00	Rider Rubber Treadle LH	0.00	PC	Purchase
F12-03	YGA42381A0A00	Rider Rubber Treadle RH	0.00	PC	Purchase
F12-04	XXXXXXXXXXXXXX	Shoulder Bolt I	0.00	PC	Non-Supply
F12-05	YGA42922A0N04	Side Stand Spring	0.00	PC	Purchase
F12-06	RGX42210A0B14	Side Stand Comp	0.00	PC	Purchase

F-13 座垫总成 SEAT ASSY



Model: LF110-2G Update Time: 2015/4/8 8:58:19



PartNo.	PartCode	Description	U.Price	Unit	Purchase
F13-01	YHA96100A0A00	Tool Kit	0.00	SET	Purchase
F13-02	RGX43666A0A00	Rear Luggage Lining	0.00	PC	Purchase
F13-03	RGX44100A1A00	Seat Assy	0.00	PC	Purchase
F13-04	RGH33978A0A00	Rear Trunk Cushion II	0.00	PC	Purchase
F13-05	RGX43964A0A00	Rear Trunk Cushion	0.00	PC	Purchase
F13-06	RGX43651A1A00	Luggage	0.00	PC	Purchase



Model: LF110-2G Update Time: 2015/4/8 8:58:19

F-14 油箱总成 FUEL TANK ASSY

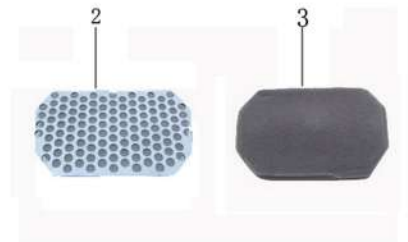


PartNo.	PartCode	Description	U.Price	Unit	Purchase
F14-01	RGX37810A0A00	Fuel Sensor	0.00	PC	Purchase
F14-02	YGA16870A0A00	Fuel Filter Comp	0.00	PC	Purchase
F14-03	YGA16500A0N03	Fuel Filler Cover Set	0.00	PC	Purchase
F14-04	RGX16620A0B14	Fuel Tank Weldment	0.00	PC	Purchase

F-15 空气滤清器总成 AIR CLEANER ASSY



Model: LF110-2G Update Time: 2015/4/8 8:58:19

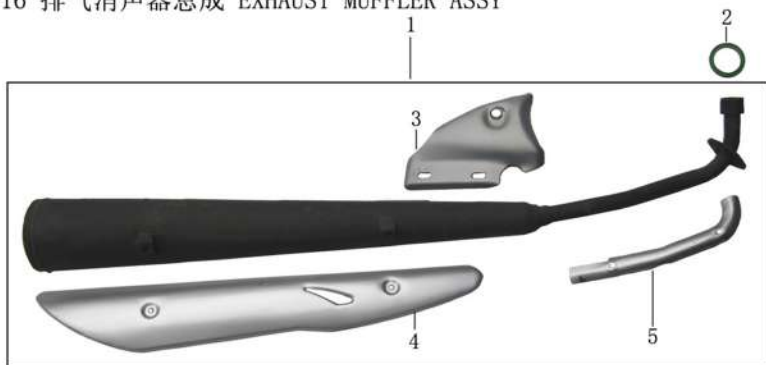


PartNo.	PartCode	Description	U.Price	Unit	Purchase
F15-01	RIH17100A0A00	Air Cleaner Assy	0.00	PC	Purchase
F15-02	XXXXXXXXXXXXXX	Air Cleaner Filter Screen	0.00	PC	Non-Supply
F15-03	XXXXXXXXXXXXXX	Air Cleaner Element	0.00	PC	Non-Supply



Model: LF110-2G Update Time: 2015/4/8 8:58:19

F-16 排气消声器总成 EXHAUST MUFFLER ASSY



PartNo.	PartCode	Description	U.Price	Unit	Purchase
F16-01	RGX18000A0B11	Exhaust Muffler Comp	0.00	PC	Purchase
F16-02	XXXXXXXXXXXXXXXX	Gasket Exhaust Muffler	0.00	PC	Non-Supply
F16-03	RGX18941A0W02	Exhaust Muffler Connecting Plate	0.00	PC	Purchase
F16-04	RGX18392A0W01	Muffler Guard Plate	0.00	PC	Purchase
F16-05	RGX18391A0W01	Muffler Pipe Hood	0.00	PC	Purchase



Model: LF110-2G Update Time: 2015/4/8 8:58:19

F-17 主支架 CENTER STAND



PartNo.	PartCode	Description	U.Price	Unit	Purchase
F17-01	RGX42911A0N04	Center Stand Shaft	0.00	PC	Purchase
F17-02	WIA42191A0A00	Center Stand Rubber	0.00	PC	Purchase
F17-03	RGX42100A1B14	Center Stand Comp	0.00	PC	Purchase
F17-04	XGA42913A0N04	Center Stand Spring	0.00	PC	Purchase
F17-05	WIA35913A0N04	Spring Rear Brake Switch	0.00	PC	Purchase
F17-06	RGX65941A0N04	Rear Brake Pedal Spring	0.00	PC	Purchase
F17-07	RGX65410A0M01	Rear Brake Pedal Comp	0.00	PC	Purchase
F17-08	RGX65510A0N04	Rear Brake Link Comp	0.00	PC	Purchase
F17-09	YGA35330A1A00	Rear Brake Switch	0.00	PC	Purchase
F17-10	YGA42914A0N04	Center Stand Spring Hook	0.00	PC	Purchase



Model: LF110-2G Update Time: 2015/4/8 8:58:19

F-18 后挡泥板 REAR FENDER



PartNo.	PartCode	Description	U.Price	Unit	Purchase
F18-01	Q94012V10	Bulb 12 V 10W	0.00	PC	Purchase
F18-02	Q94012V2105	Bulb 12V 21/5W	0.00	PC	Purchase
F18-03	RGX63711A0B14	Rear License Bracket	0.00	PC	Purchase
F18-04	RGX33978A0A00	Taillight Grommet	0.00	PC	Purchase
F18-05	RGX63111A1A00	Rear Fender Rear Body	0.00	PC	Purchase
F18-06	RGX33700B1A00	Taillight Assy	0.00	PC	Purchase



F-19 后叉焊接组合 链盒 REAR FORK & CHAINCASE



Model: LF110-2G Update Time: 2015/4/8 8:58:19

PartNo.	PartCode	Description	U.Price	Unit	Purchase
F19-01	RGX61101A1B01	Rear Fork Weldment	0.00	PC	Purchase
F19-02	RGX61951A1N04	Rear Fork Shaft	0.00	PC	Purchase
F19-03	RGX61491A0A00	Chain Guard	0.00	PC	Purchase
F19-04	Q98008MB106	Chain 08MB-106L	0.00	PC	Purchase
F19-05	RGX61311A0A00	Top Chaincase	0.00	PC	Purchase
F19-06	RGX42510A0N04	Passenger Footrest Comp RH	0.00	PC	Purchase
F19-07	RGX61910A0A00	Rear Fork Bush	0.00	PC	Purchase
F19-08	RGX42510A0N04	Passenger Footrest Comp LH	0.00	PC	Purchase
F19-09	RGX61400A0N04	Chain Adjuster Comp	0.00	PC	Purchase



Model: LF110-2G Update Time: 2015/4/8 8:58:19

F-20 车架焊接总成 FRAME WELDMENT ASSY



PartNo.	PartCode	Description	U.Price	Unit	Purchase
F20-01	RGX43821A0B14	Headlight Adjusting Stay	0.00	PC	Purchase
F20-02	YHA35400A0A00/YHA48310A0A00	Lock Assy	0.00	SET	Purchase
F20-03	RGX41100A4B14	Frame Weldment	0.00	PC	Purchase
F20-04	RGX45511A0B03	Rear Handrail RH	0.00	PC	Purchase
F20-05	RGX45531A0B03	Rear Handrail LH	0.00	PC	Purchase
F20-06	RGX31810A1B14	Battery Stay Set	0.00	PC	Purchase
F20-07	RGX48340A0N03	Seat Lock Set	0.00	PC	Purchase
F20-08	YGA31850A0A00	Battery Belt Comp	0.00	PC	Purchase



Model: LF110-2G Update Time: 2015/4/8 8:58:19

F-21 电器 ELECTRIC ELEMENTS

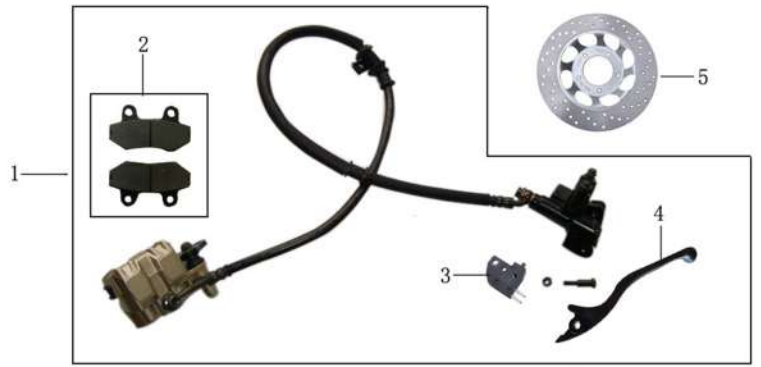


PartNo.	PartCode	Description	U.Price	Unit	Purchase
F21-01	RGX32100B1A00	Main Cable	0.00	PC	Purchase
F21-02	XXXXXXXXXXXXXX	Ignition Controller	0.00	PC	Non-Supply
F21-03	RGH38100A0B01	Horn	0.00	PC	Purchase
F21-04	XXXXXXXXXXXXXX	Voltage Regulator	0.00	PC	Non-Supply
F21-05	XXXXXXXXXXXXXX	Ignition Coil	0.00	PC	Non-Supply
F21-06	XXXXXXXXXXXXXX	Brake Alarm	0.00	PC	Purchase
F21-07	XXXXXXXXXXXXXX	Starting Relay	0.00	PC	Non-Supply
F21-08	RGX31500A0A00	Battery 12V-5AH	0.00	PC	Purchase
F21-09	YHA38210A1A00	Flashing Relay	0.00	PC	Purchase

F-22 前液压制动器 FRONT BRAKE



Model: LF110-2G Update Time: 2015/4/8 8:58:19

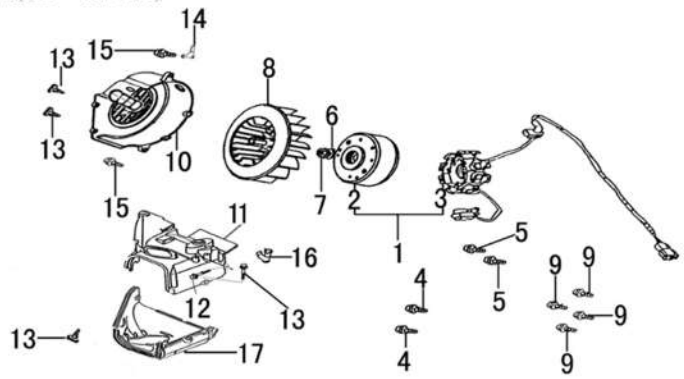


PartNo.	PartCode	Description	U.Price	Unit	Purchase
F22-01	RGX56010B1A00	Front Hydraulic Brake Assy	0.00	PC	Purchase
F22-02	RHB56520A0A00	Front Brake Pad	0.00	PC	Purchase
F22-03	RHB35310A0A00	Front Brake Switch	0.00	PC	Purchase
F22-04	RGX47511A1B01	Front Brake Lever	0.00	PC	Purchase
F22-05	YHA56311A0A00	Front Brake Disc	0.00	PC	Purchase



Model: 1P52QMI Update Time: 2010-7-7 10:07:38

E-1 风扇盖 磁电机 FAN COVER & MAGNETO

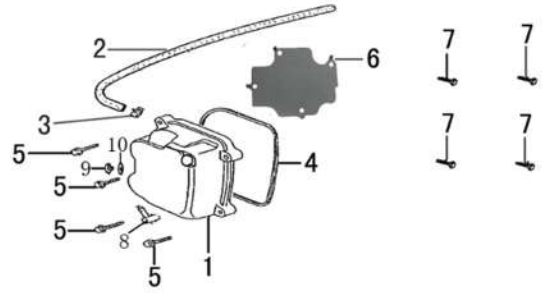


PartNo.	PartCode	Description	U.Price	Unit	Purchase
E1-1	17B1031100	Magneto Assy	0.00	SET	Purchase
E1-2	17B1031110	Magneto Rotor Comp.	0.00	PC	Purchase
E1-3	17B1031210	Magneto Stator Comp.	0.00	PC	Purchase
E1-4	GB/T5786	Bolt M6x25	0.00	PC	Non-Supply
E1-5	GB/T5781	Bolt M5x12	0.00	PC	Non-Supply
E1-6	GB/T97.1	Washer 12	0.00	PC	Non-Supply
E1-7	GB/T6177.1	Nut M12x1.25	0.00	PC	Purchase
E1-8	17B1019810	Fan Impeller	0.00	PC	Purchase
E1-9	GB/T16674	Bolt M6x18	0.00	PC	Non-Supply
E1-10	17B1019710	Cooling Fan Cover	0.00	PC	Purchase
E1-11	17B1019730	Air-Flow Guard B	0.00	PC	Purchase
E1-12	GB/T16674	Bolt M6x25	0.00	PC	Non-Supply
E1-13	GB/T9456	Screw ST4.8x16	0.00	PC	Non-Supply
E1-14	17B1034951	Starter Motor Wire Clamper	0.00	PC	Purchase
E1-15	GB/T16674	Bolt M6x25	0.00	PC	Non-Supply
E1-16	17B1019742	Overflow Pipe Clamp	0.00	PC	Non-Supply
E1-17	17B1019720	Air-Flow Guard A	0.00	PC	Purchase



Model: 1P52QMI Update Time: 2010-7-7 10:07:38

E-2 气缸头盖 CYLINDER HEAD COVER

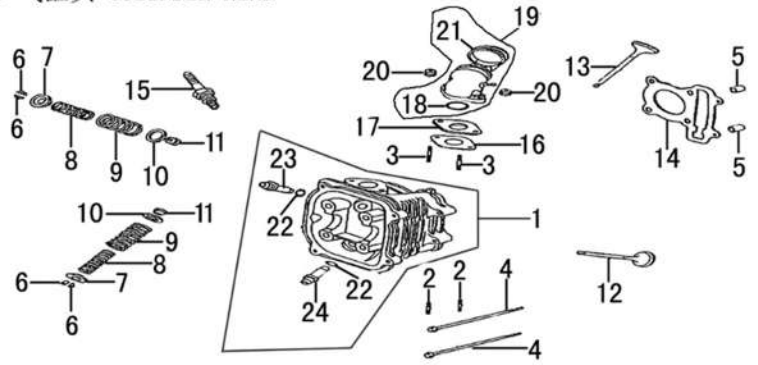


PartNo.	PartCode	Description	U.Price	Unit	Purchase
E2-1	17B1012310	Cylinder Head Cover	0.00	PC	Purchase
E2-2	17B1020162	Waste Pipe	0.00	PC	Non-Supply
E2-3	17B1020163	Waste Pipe Clip φ8	0.00	PC	Non-Supply
E2-4	17B1012312	Cylinder Head Cover Gasket	0.00	PC	Purchase
E2-5	GB/T16674	Bolt M6x25	0.00	PC	Non-Supply
E2-6	17B1012353	Plate	0.00	PC	Purchase
E2-7	GB/T845	Screw M4×8	0.00	PC	Non-Supply
E2-8	17B1020160	Exhaust Nipple	0.00	PC	Purchase
E2-9	17B1015285	Washer 6.5	0.00	PC	Non-Supply
E2-10	GB/T16674	Bolt M6x12	0.00	PC	Non-Supply

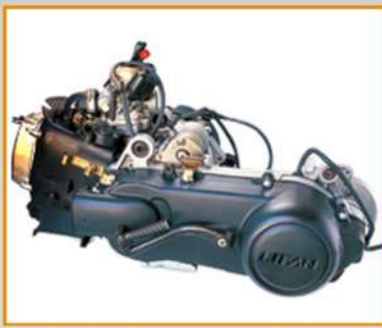


Model: 1P52QMI Update Time: 2010-7-7 10:07:38

E-3 气缸头 CYLINDER HEAD

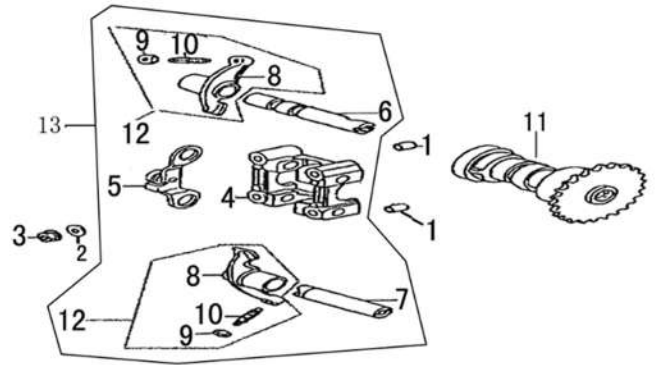


PartNo.	PartCode	Description	U.Price	Unit	Purchase
E3-1	17B1012210	Cylinder Head	0.00	PC	Purchase
E3-2	GB/T899	Stud M6x32	0.00	PC	Non-Supply
E3-3	GB/T899	Stud M6x62	0.00	PC	Non-Supply
E3-4	GB/T16674	Bolt M6x100	0.00	PC	Non-Supply
E3-5	17B1012118	Dowel Pin 10×14	0.00	PC	Purchase
E3-6	17B1014752	Valve Split Cone	0.00	PC	Purchase
E3-7	17B1014751	Valve Spring Upper Seat	0.00	PC	Purchase
E3-8	17B1014756	Valve Inner Spring	0.00	PC	Purchase
E3-9	17B1014755	Valve Outer Spring	0.00	PC	Purchase
E3-10	17B1014753	Valve Lower Seat	0.00	PC	Purchase
E3-11	17B1014730	Valve Stem Oil Seal	0.00	PC	Purchase
E3-12	17B1014720	Exhaust Valve	0.00	PC	Purchase
E3-13	17B1014710	Inlet Valve	0.00	PC	Purchase
E3-14	17B1012221	Gasket for Cylinder Head	0.00	PC	Purchase
E3-15	17B1034210	Spark Plug A7RTC	0.00	PC	Purchase
E3-16	17B1017332	Inlet Pipe Casket	0.00	PC	Purchase
E3-17	17B1017331	Isolating Mat	0.00	PC	Purchase
E3-18	17B1017321	O-Ring 28×2.5	0.00	PC	Non-Supply
E3-19	17B1017310	Inlet Pipe Set	0.00	SET	Purchase
E3-20	GB/T6177.1	Nut M6	0.00	PC	Non-Supply
E3-21	17B1017340	Inlet Pipe Clip	0.00	PC	Non-Supply
E3-22	17B1012216	Guide O-Ring	0.00	PC	Non-Supply
E3-23	17B1012214	Inlet Valve Guide	0.00	PC	Non-Supply
E3-24	17B1012215	Exhaust Valve Guide	0.00	PC	Non-Supply



Model: 1P52QMI Update Time: 2010-7-7 10:07:38

E-4 凸轮 摇臂 DRUM & ROCKET ARMY

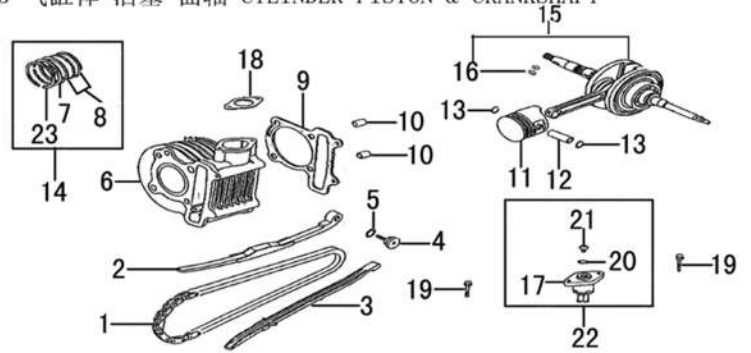


PartNo.	PartCode	Description	U.Price	Unit	Purchase
E4-1	17B1012118	Cylinder Block Dowel Pin 10×14	0.00	PC	Purchase
E4-2	GB/T96	Washer 8	0.00	PC	Non-Supply
E4-3	GB/T6177.1	Nut M8	0.00	PC	Non-Supply
E4-4	17B1014414	Rocker Arm Base	0.00	PC	Purchase
E4-5	17B1014150	Caging Plate	0.00	PC	Purchase
E4-6	17B1014420	Rocker Arm Shaft Set	0.00	PC	Purchase
E4-7	17B1014413	Rocker Arm Shaft	0.00	PC	Purchase
E4-8	17B1014411	Valve Rocker Arm	0.00	PC	Non-Supply
E4-9	17B1014416	Valve Clearance Adjusting Nut	0.00	PC	Non-Supply
E4-10	17B1014415	Valve Clearance Adjusting Screw	0.00	PC	Non-Supply
E4-11	17B1014100	Camshaft Assy	0.00	PC	Purchase
E4-12	17B1014410	Rocker Arm Assy	0.00	PC	Purchase
E4-13	17B10xxxxx	Camshaft Fix Assy	0.00	SET	Purchase

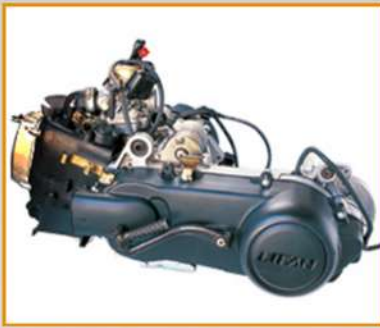


Model: 1P52QMI Update Time: 2010-7-7 10:07:38

E-5 气缸体 活塞 曲轴 CYLINDER PISTON & CRANKSHAFT

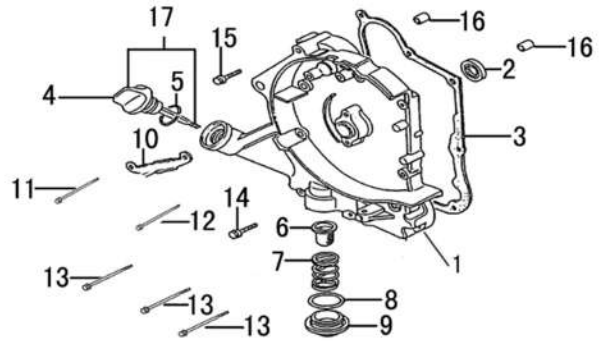


PartNo.	PartCode	Description	U.Price	Unit	Purchase
E5-1	17B1014350	Timing Chain	0.00	PC	Purchase
E5-2	17B1014650	Tensioning Plate	0.00	PC	Purchase
E5-3	17B1014610	Guide Plate	0.00	PC	Purchase
E5-4	17B1014661	Tensioning Plate Screw	0.00	PC	Purchase
E5-5	17B1014663	O-Ring 15.2x1.5	0.00	PC	Purchase
E5-6	17B1012110	Cylinder Block Comp.	0.00	PC	Purchase
E5-7	17B1013312	Piston Ring II	0.00	PC	Non-Supply
E5-8	17B1013320	3-piece Oil Ring	0.00	PC	Non-Supply
E5-9	17B1012121	Cylinder Block Gasket	0.00	PC	Purchase
E5-10	17B1012118	Cylinder Block Dowel Pin 10×14	0.00	PC	Purchase
E5-11	17B1013211	Piston	0.00	PC	Purchase
E5-12	17B1013221	Piston Pin	0.00	PC	Purchase
E5-13	17B1013222	Piston Pin Circlip	0.00	PC	Purchase
E5-14	17B1013300	Piston Ring Set	0.00	SET	Purchase
E5-15	17B1013100	Crankshaft and Connecting Rod	0.00	PC	Purchase
E5-16	17B1013118	Woodruff Key 25x14x4	0.00	PC	Non-Supply
E5-17	17B1014510	Tensioner	0.00	PC	Non-Supply
E5-18	17B1014519	Tensioner Gasket	0.00	PC	Purchase
E5-19	GB/T16674	Bolt M6x22	0.00	PC	Non-Supply
E5-20	17B1014528	O-Ring 1.5x9.5	0.00	PC	Purchase
E5-21	17B1014527	Screw M6x6	0.00	PC	Non-Supply
E5-22	17B1014500	Tensioner Assy	0.00	PC	Purchase
E5-23	17B1013311	Piston Ring I	0.00	PC	Non-Supply



Model: 1P52QMI Update Time: 2010-7-7 10:07:38

E-6 右曲轴箱盖 RIGHT CRANKCASE COVER

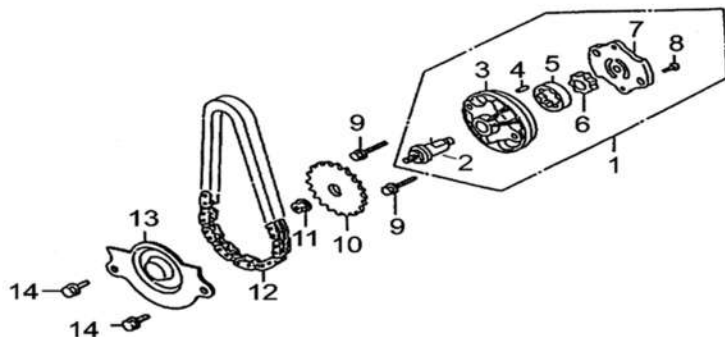


PartNo.	PartCode	Description	U.Price	Unit	Purchase
E6-1	17B1011311	Crankcase Cover, RH	0.00	PC	Purchase
E6-2	17B1013180	Crankshaft Oil Seal,RH 9.8x30x5	0.00	PC	Purchase
E6-3	17B1011319	Crankcase Cover Gasket, RH	0.00	PC	Purchase
E6-4	17B1015611	Dipstick	0.00	PC	Purchase
E6-5	17B1015612	O-Ring	0.00	PC	Purchase
E6-6	17B1015450	Oil Filter Screen	0.00	PC	Purchase
E6-7	17B1015461	Oil Filter Screen Spring	0.00	PC	Purchase
E6-8	17B1015462	Oil Filter Screen Cover O-Ring	0.00	PC	Purchase
E6-9	17B1015463	Oil Filter Screen Cover	0.00	PC	Purchase
E6-10	17B1031911	Magneto Wire Clamper	0.00	PC	Purchase
E6-11	GB/T16674	Bolt M6x110	0.00	PC	Non-Supply
E6-12	GB/T16674	Bolt M6x100	0.00	PC	Non-Supply
E6-13	GB/T16674	Bolt M6x95	0.00	PC	Non-Supply
E6-14	GB/T16674	Bolt M6x28	0.00	PC	Non-Supply
E6-15	GB/T16674	Bolt M6x32	0.00	PC	Non-Supply
E6-16	17B1011318	Dowel Pin 8x14	0.00	PC	Purchase
E6-17	17B1015610	Dipstick	0.00	PC	Non-Supply



Model: 1P52QMI Update Time: 2010-7-7 10:07:38

E-7 机油泵 OIL PUMP

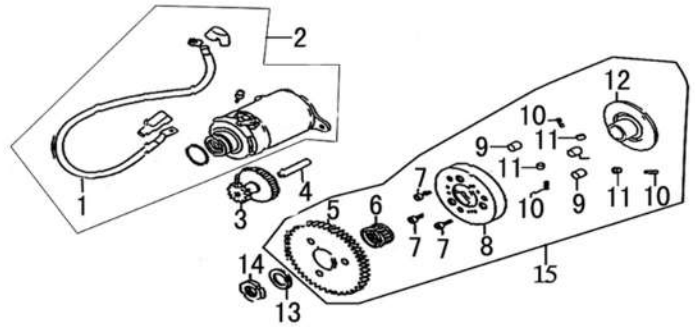


PartNo.	PartCode	Description	U.Price	Unit	Purchase
E7-1	17B1015100	Oil Pump Assy	0.00	PC	Purchase
E7-2	17B1015116	Oil Pump Shaft	0.00	PC	Non-Supply
E7-3	17B1015111	Oil Pump Body	0.00	PC	Non-Supply
E7-4	17B1015118	Dowel Pin 4x6.5.	0.00	PC	Non-Supply
E7-5	17B1015115	Oil Pump Outer Rotor	0.00	PC	Non-Supply
E7-6	17B1015114	Oil Pump Inner Rotor	0.00	PC	Non-Supply
E7-7	17B1015112	Oil Pump Cover	0.00	PC	Non-Supply
E7-8	GB/T819.1	Bolt M3x10	0.00	PC	Non-Supply
E7-9	GB/T16674	Bolt M6x25	0.00	PC	Non-Supply
E7-10	17B1015121	Oil Pump Driven Sprocket	0.00	PC	Purchase
E7-11	GB/T6177.1	Nut M6	0.00	PC	Non-Supply
E7-12	17B1015140	Oil Pump Chain	0.00	PC	Purchase
E7-13	17B1015031	Driven Sprocket Stopper	0.00	PC	Purchase
E7-14	GB/T16674	Bolt M6x12	0.00	PC	Non-Supply



Model: 1P52QMI Update Time: 2010-7-7 10:07:38

E-8 起动机 STARTER MOTOR

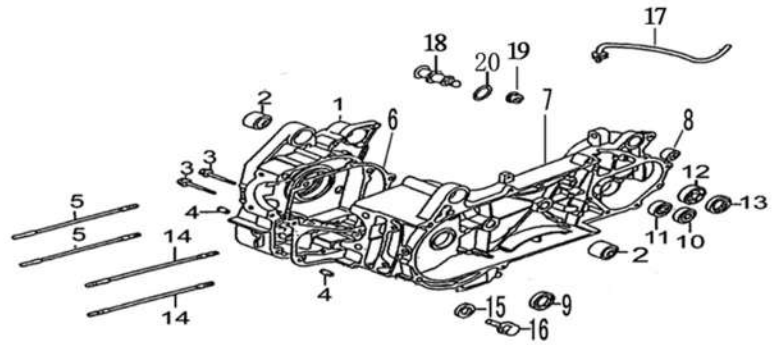


PartNo.	PartCode	Description	U.Price	Unit	Purchase
E8-1	17B1034890	Start Motor Wiring Harness	0.00	PC	Non-Supply
E8-2	17B1034700	Start Motor	0.00	PC	Purchase
E8-3	17B1028311	Twin-Gear	0.00	PC	Purchase
E8-4	17B1028321	twin-Gear Shaft	0.00	PC	Purchase
E8-5	17B1028161	Start Clutch Gear	0.00	PC	Non-Supply
E8-6	GB/T290	Needle Bearing K28x32x17	0.00	PC	Non-Supply
E8-7	GB/T90	Socket Bolt M6x10	0.00	PC	Non-Supply
E8-8	17B1028120	Starting Clutch Body Comp.	0.00	PC	Non-Supply
E8-9	17B1028111	Roller 10x10	0.00	PC	Non-Supply
E8-10	17B1028113	Starting Clutch Spring	0.00	PC	Non-Supply
E8-11	17B1028112	Starting Clutch Spring Sleeve	0.00	PC	Non-Supply
E8-12	17B1028114	Starting Clutch Cover	0.00	PC	Non-Supply
E8-13	17B1028172	Starting Clutch Gear Washer	0.00	PC	Non-Supply
E8-14	17B1028173	Lock Nut M22	0.00	PC	Purchase
E8-15	17B1028100	Start Clutch Assy	0.00	SET	Purchase



1P52QMI Update Time: 2010-7-7 10:07:38

E-9 曲轴箱 CRANKCASE

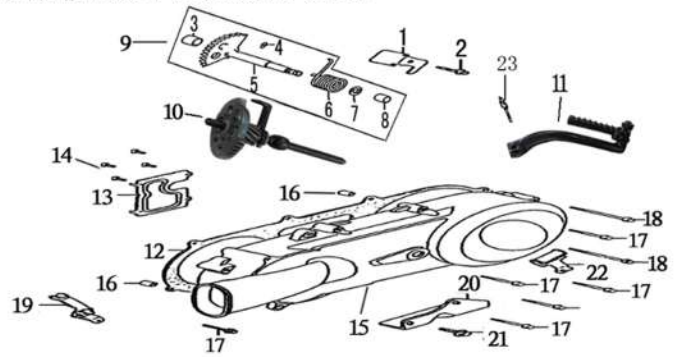


PartNo.	PartCode	Description	U.Price	Unit	Purchase
E9-1	17B1011110	Crankcase, RH	0.00	PC	Purchase
E9-2	17B1011120	Engine Hanger Bush	0.00	PC	Purchase
E9-3	GB/T16674	Bolt M6x50.	0.00	PC	Non-Supply
E9-4	17B1011318	Dowel Pin 8x14	0.00	PC	Purchase
E9-5	17B1012342	Cylinder Stud A	0.00	PC	Purchase
E9-6	17B1011119	Crankcase Gasket	0.00	PC	Purchase
E9-7	17B1011210	Crankcase Comp., LH	0.00	PC	Purchase
E9-8	17B1011220	Rear Shock Absorber Lower Bush	0.00	PC	Purchase
E9-9	17B1013190	Crankshaft Oil Seal,LH 19.8x30x5	0.00	PC	Purchase
E9-10	GB/T276	Bearing 6301	0.00	PC	Purchase
E9-11	GB/T276	Bearing 6002	0.00	PC	Purchase
E9-12	GB/T276	Bearing 6004DU	0.00	PC	Purchase
E9-13	17B1023580	Oil Seal 27x42x7	0.00	PC	Purchase
E9-14	17B1012343	Cylinder Stud B	0.00	PC	Purchase
E9-15	17B1011213	Drain Plug Washer	0.00	PC	Purchase
E9-16	17B1015497	Plug	0.00	PC	Purchase
E9-17	17B1020180	Waste Pipe Set	0.00	PC	Non-Supply
E9-18	17B1023540	Brake Shoe Pin	0.00	PC	Purchase
E9-19	GB/T6177.1	Nut M8	0.00	PC	Non-Supply
E9-20	17B1023543	O-Ring 7.5x1.5	0.00	PC	Purchase



Model: 1P52QMI Update Time: 2010-7-7 10:07:38

E-10 左曲轴箱盖LEFT CRANKCASE COVER

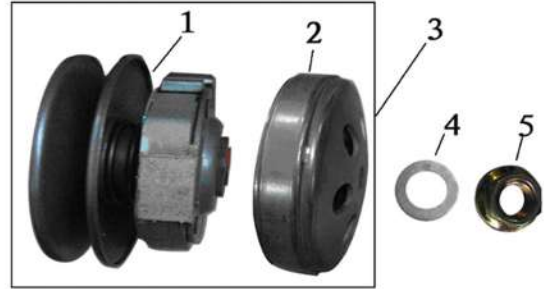


PartNo.	PartCode	Description	U.Price	Unit	Purchase
E10-1	17B1027133	Stopper	0.00	PC	Purchase
E10-2	GB/T16674	Bolt M6x12	0.00	PC	Non-Supply
E10-3	17B1027146	Bush 12x16x12	0.00	PC	Non-Supply
E10-4	17B1027149	Special Pin 4.5	0.00	PC	Non-Supply
E10-5	17B1027111	Starting Shaft	0.00	PC	Non-Supply
E10-6	17B1027118	Starting Return Spring	0.00	PC	Non-Supply
E10-7	17B1027114	Starting Shaft Washer 14	0.00	PC	Non-Supply
E10-8	17B1027147	Bush	0.00	PC	Non-Supply
E10-9	17B1027100	Starting Shaft Assy	0.00	SET	Purchase
E10-10	17B1027220	Starting Mid-Gear Comp.	0.00	SET	Purchase
E10-11	17B1027700	Kick Starter Assy	0.00	PC	Purchase
E10-12	17B1011419	Crankcase cover Gasket, LH	0.00	PC	Purchase
E10-13	17B1011416	Guide Plate	0.00	PC	Purchase
E10-14	GB/T845	Screw ST4x8	0.00	PC	Non-Supply
E10-15	17B1011411	Crankcase Cover, LH	0.00	PC	Purchase
E10-16	17B1011318	Dowel Pin 8x14	0.00	PC	Purchase
E10-17	GB/T16674	Bolt M6x40	0.00	PC	Non-Supply
E10-18	GB/T16674	Bolt M6x65	0.00	PC	Non-Supply
E10-19	17B1016190	Cable Clamp	0.00	PC	Purchase
E10-20	17B1011443	Main Stand Stopper	0.00	PC	Purchase
E10-21	GB/T16674	Bolt M6x12	0.00	PC	Non-Supply
E10-22	17B1023546	Brake Cable Clamp	0.00	PC	Purchase
E10-23	GB/T16674	Bolt M6x22	0.00	PC	Non-Supply



Model: 1P52QMI Update Time: 2010-7-7 10:07:38

E-11 从动轮 DRIVEN PULLEY

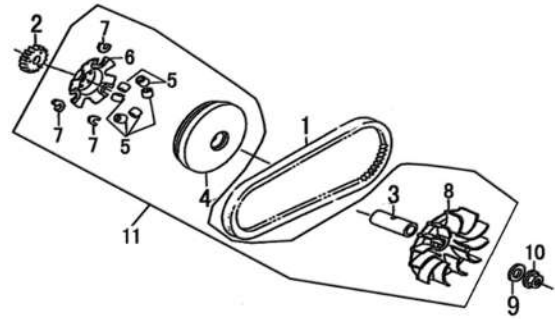


PartNo.	PartCode	Description	U.Price	Unit	Purchase
E11-1	17B1023330	Driven Pulley Comp.	0.00	PC	Purchase
E11-2	17B1021310	Driven Disc Comp.	0.00	PC	Purchase
E11-3	17B1023300	Driven Pulley Assy	0.00	SET	Purchase
E11-4	17B1021391	Washer12.2x29x2.5	0.00	PC	Non-Supply
E11-5	17B1021392	Nut M12	0.00	PC	Purchase



Model: IP52QMI Update Time: 2010-7-7 10:07:38

E-12 皮带 主动轮 BELT DRIVING

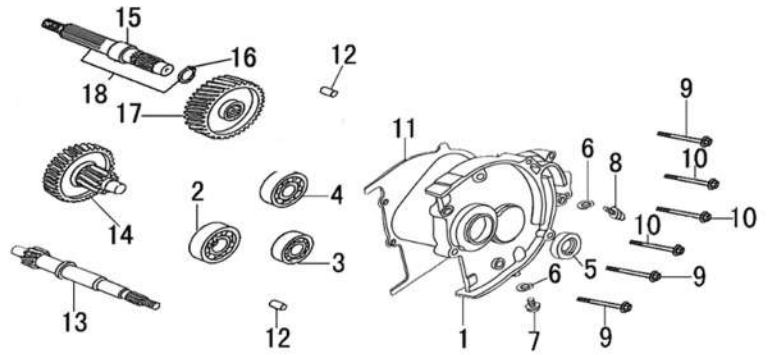


PartNo.	PartCode	Description	U.Price	Unit	Purchase
E12-1	17B1023200	Drive Belt (L=723)	0.00	PC	Purchase
E12-2	17B1027231	Starting Driven Gear (20T)	0.00	PC	Purchase
E12-3	17B1023141	Drive Gear Sleeve	0.00	PC	Purchase
E12-4	17B1023120	Driving Pulley Sliding Plate	0.00	PC	Purchase
E12-5	17B1023130	Centrifugal Roller Set	0.00	PC	Purchase
E12-6	17B1023142	Drive Gear Chuck	0.00	PC	Non-Supply
E12-7	17B1023143	Drive Gear Chuck Slide-Block	0.00	PC	Non-Supply
E12-8	17B1023111	Driving Pulley Fixing Plate	0.00	PC	Purchase
E12-9	17B1023144	Washer 12.2x29x2.5	0.00	PC	Non-Supply
E12-10	17B1023145	Lock Nut M12	0.00	PC	Purchase
E12-11	17B1023100	Driving Pulley Assy	0.00	SET	Purchase

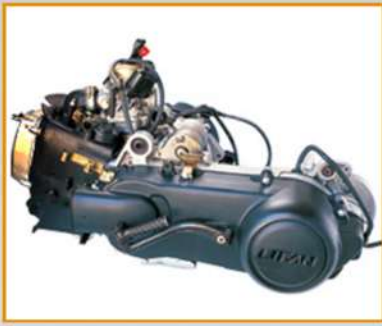


Model: 1P52QMI Update Time: 2010-7-7 10:07:38

E-13 传动系 TRANSMISSION SYSTEM

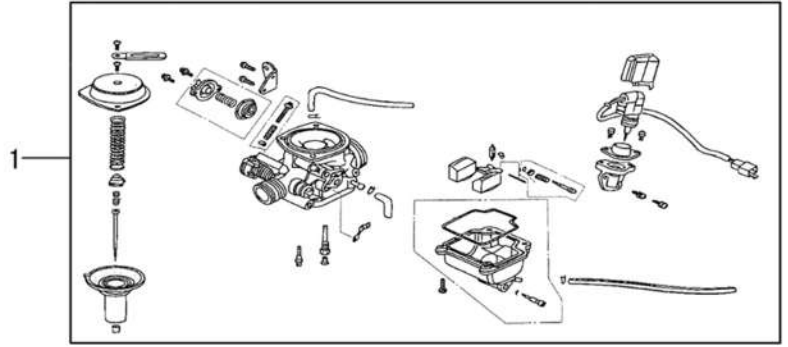


PartNo.	PartCode	Description	U.Price	Unit	Purchase
E13-1	17B1023511	Transmission Case	0.00	PC	Purchase
E13-2	GB/T276	Bearing 6204	0.00	PC	Purchase
E13-3	GB/T276	Bearing 6202	0.00	PC	Purchase
E13-4	GB/T276	Bearing 6203	0.00	PC	Purchase
E13-5	17B1023590	Oil Seal 20x32x6	0.00	PC	Purchase
E13-6	17B1023517	Washer 8	0.00	PC	Non-Supply
E13-7	GB/T16674	Bolt M8x12	0.00	PC	Non-Supply
E13-8	GB/T16674	Bolt M8x12	0.00	PC	Non-Supply
E13-9	GB/T16674	Bolt M6x28	0.00	PC	Non-Supply
E13-10	GB/T16674	Bolt M6x35	0.00	PC	Non-Supply
E13-11	17B1023519	Gasket	0.00	PC	Purchase
E13-12	17B1011318	Dowel Pin 8x14	0.00	PC	Purchase
E13-13	17B1023551	Drive Shaft	0.00	PC	Purchase
E13-14	17B1023560	Mid Shaft Assy	0.00	PC	Purchase
E13-15	17B1023571	Output Shaft	0.00	PC	Non-Supply
E13-16	GB/T894.1	Sping Circlip	0.00	PC	Non-Supply
E13-17	17B1023572	Terminal Gear	0.00	PC	Purchase
E13-18	17B1023570	Output Shaft Set	0.00	PC	Purchase



Model: 1P52QMI Update Time: 2010-7-7 10:07:38

E-14 化油器 CARBURETOR

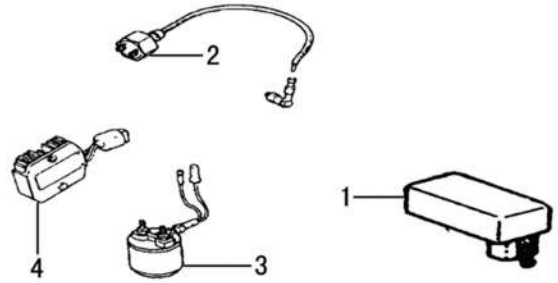


PartNo.	PartCode	Description	U.Price	Unit	Purchase
E14-1	17B1016100	Carburetor Assy	0.00	PC	Purchase



Model: 1P52QMI Update Time: 2010-7-7 10:07:38

E-15 电器 ELECTRIC ELEMENTS



PartNo.	PartCode	Description	U.Price	Unit	Purchase
E15-1	17B1034400	Ignition Controller	0.00	PC	Purchase
E15-2	17B1034500	Ignition Coil	0.00	PC	Purchase
E15-3	17B1034600	Start Relay	0.00	PC	Purchase
E15-4	17B1031600	Voltage Regulator	0.00	PC	Purchase